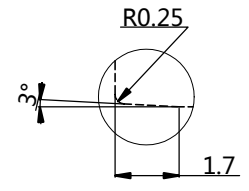
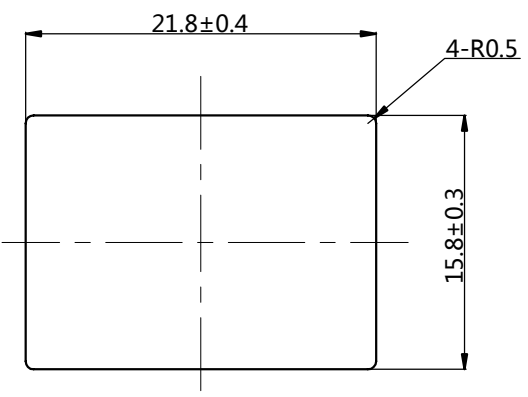
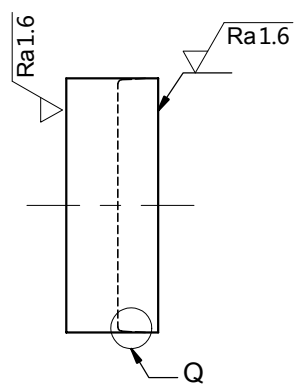
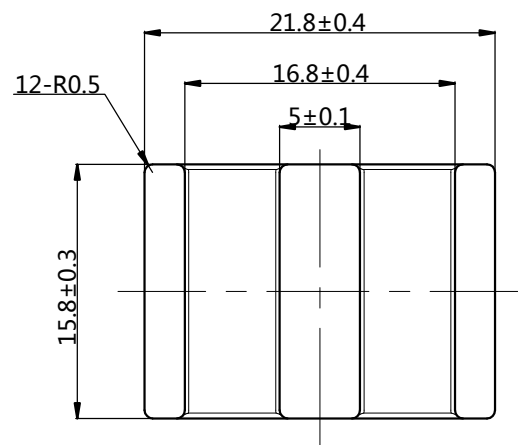
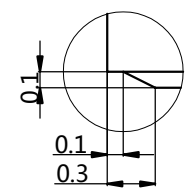
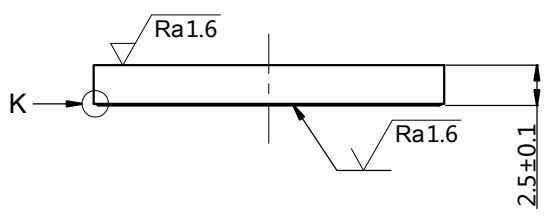
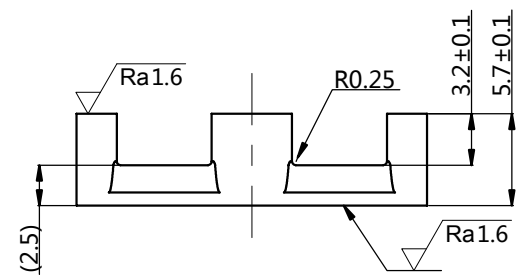


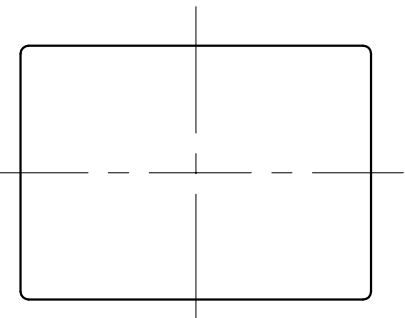
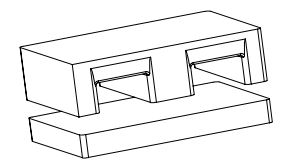
REVISION HISTORY			
Rev	DESCRIPTION	DATE	APPROVED



Detail Q



Detail K



	Scale 2 : 1	Material	Customer Part number E22/6/16 & PLT22/16/2.5	
	Unit: mm		Standard tolerances ±0.15	Product Name EI-21.8-8.2-15.8
Approved by Y.Higuchi	Created by Z.zhang	Document type Production drawing	Rev 00	Drawing No. PY170215M01
Hitachi Metals (Hong kong) Ltd. Panyu Factory			Date of issue Feb 15 2017	Sheet 1/1